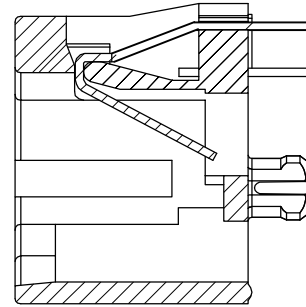
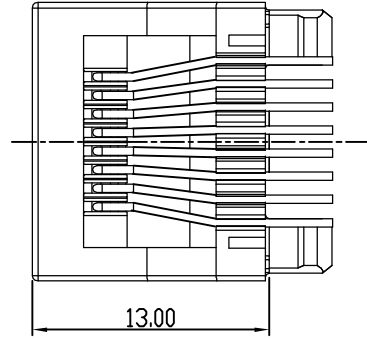
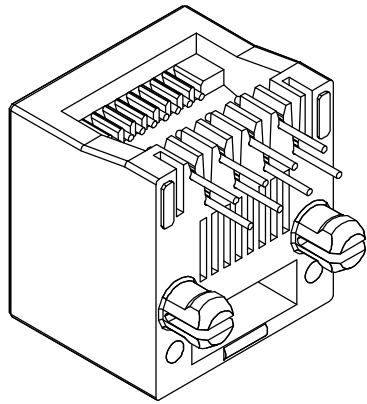


REV.	ECN.NO.	NAME	DATA
A0	NEW	MIN-D	2020-11-24



SPECIFICATION NOTES:

ELECTRICAL:

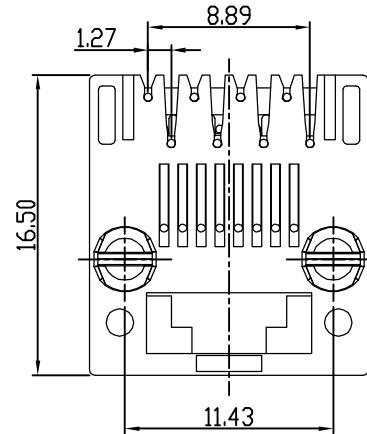
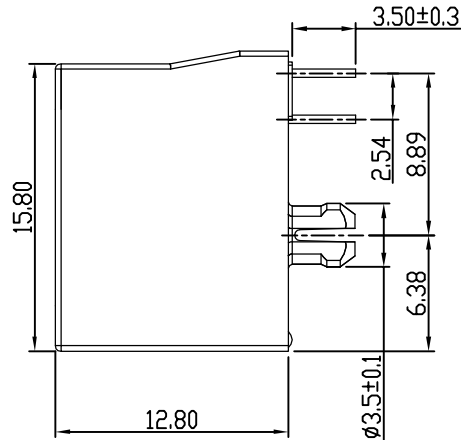
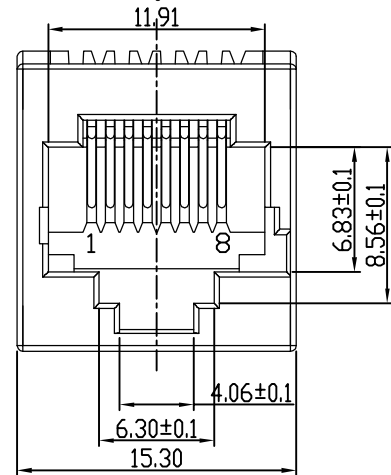
- VOLTAGE RATING: 125 VAC RMS
- CURRENT RATING: 1.5 AMP
- CONTACT RESISTANCE: 30mΩ MAX.
- INSULATION RESISTANCE: 1000MΩMIN. AT 500V DC.
- DIELECTRIC STRENGTH: 1000 VAC 50Hz 1MINUTE

MECHANICAL:

- HOUSING MATERIAL: SEE PART NUMBER.
- CONTACTS: $\phi 0.46$ mm PHOSPHOR BRONZE, GOLD PLATING OVER NICKEL
- OPERATING LIFE: 750 CYCLES MIN.
- MATING FORCE: 30N MAX. UNMATING FORCE: 30N MAX.

ENVIRONMENTAL:

- STORAGE: -40°C TO +85°C
- OPERATION: -40°C TO +85°C



PART NUMBER:

52-XX 88 X X X 0-B

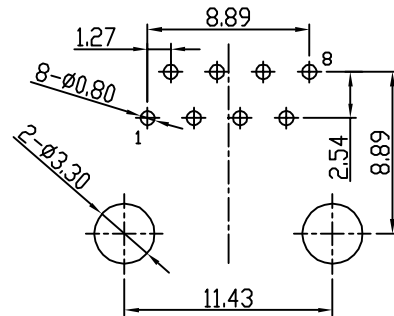
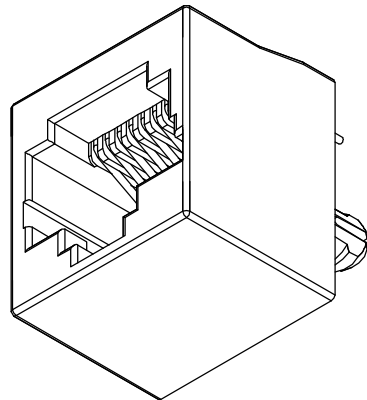
1x1: 11 8P8C:88 A: 有耳 B: 无耳 0: 全塑

Fu" : 1
1u" : 2
3u" : 3
6u" : 4
15u" : 5
30u" : 6
50u" : 7

Plating
电镀

COLOR(颜色)
1.BLACK(黑色)
2.GRAY(灰色)
3.BLUE(蓝色)
4.YELLOW(114C黄)
5.WHITE(白色)

Material
材质 A: PBT
B: PA66
C: PA46
D: PA46 无卤



Recommend PCB Layout
THICKNESS=1.6mm
TOLERANCES: ±0.05

MM (INCH)		公差 TOLERANCES	
MM	MM	MM	MM
.0 ± 0.20	.0 ± 0.38	.00 ± 0.15	.00 ± 0.25
.00 ± 0.15	.00 ± 0.25	.00 ± 0.075	.000 ± 0.15
角度 (ANGLES) ± 1.5°			
第三视图			

绘图 (Designed) MIN-D 2020-11-24

审核 (Checked)

批准 (Approved)

材料 (Material) SEE NOTES

比例 (SCALE) 1:1

XWJ 东莞市欣旺久电子有限公司
XIN WANG JIU Electronics Co.,Ltd

系列 (SERIES) 名称 (NAME)

RJ XWJ-5222-A 8P8C 短体 无耳

图号 (DWG NO.): 料号 (PART NO): 52-XX88XXX0-B 版本 REV. A0

单位 (UNIT): MM 共 (SHEET) 1 页 第 (OF) 1 页